



SPRINGBROOK STATE PARK

2437 160th Rd, Guthrie Center, IA 50115

Welcome to Springbrook State Park. Springbrook encompasses 930 acres of rolling hills, mature timber, small lake and abundant wildlife. The park is nestled between numerous small communities which provide a variety of dining, shopping and other recreational opportunities. Whether you are here to hike, fish, camp or hunt we welcome you and hope you enjoy your stay!

PARK AMENITIES/POINTS OF INTEREST/THINGS TO DO

The Springbrook campground offers a large number of campsites including most with electrical hook-ups. Within the campground is sand volleyball, basketball, horseshoes and a playground. Near to the campground is an organized youth group camping area.

Springbrook has approximately 12 miles of hiking trails that can either challenge your athletic ability or provide a casual stroll through timber and prairie areas. The trails connect the park and the Education Center facilities so visitors can explore both.

The 17-acre lake has a beach and swimming area for those who would like to relax by the water on a sunny afternoon. If you would like a break from the sun you can relax or have a picnic at the beach shelter house or go for a stroll around the lake on one of the trails. The lake has three jetties, three boat docks and a boat ramp to provide access to the lake and the fishing opportunities it provides. Anglers will find crappie, largemouth bass, bluegill, sunfish and catfish.

Both the beach shelter house and the CCC shelter may be reserved for special events or family gatherings.

The Sherburne House, a 10-acre addition to Springbrook, is available for reservations year round. It has four bedrooms, three bathrooms, two living rooms, a full service kitchen and sleeps 10 - 14. This getaway is nestled in a wooded area on the park's west side, with a scenic overlook and great opportunities to view wildlife. It is the perfect place for a small reunion or family weekend retreat.

SPECIAL PARK RULES

The lake at Springbrook allows only electric motors; gas-powered motors are not permitted. Pick up the rules/regulations booklet for more information on general park rules.

LOCAL EVENTS/ATTRACTIONS

For those who like to bicycle, the Raccoon Valley Bike Trail is located within 6 miles of Springbrook. Anne Riordan offers interpretive programming for those interested. To learn more about this please contact her at 641-295-6028. Check the DNR web site <http://www.iowadnr.gov/> or contact park staff for more information.

LOCAL CONTACT INFORMATION

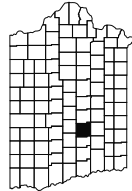
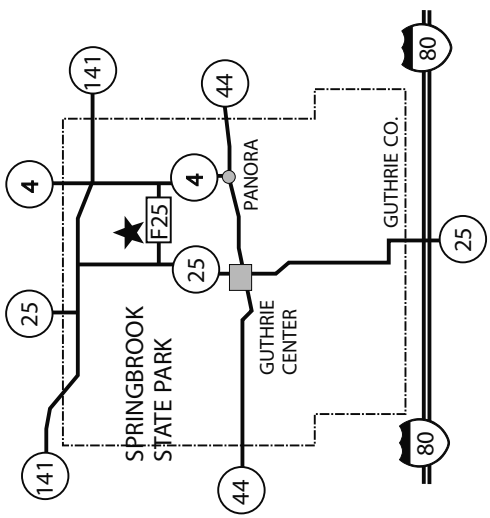
Park Office: 641.747.3591
Park Manager: Josh Peach
Park Ranger: Rod Nelsen
Park Technician: Austin Dollen
Park Information Specialist: Anne Riordan

SEVERE WEATHER

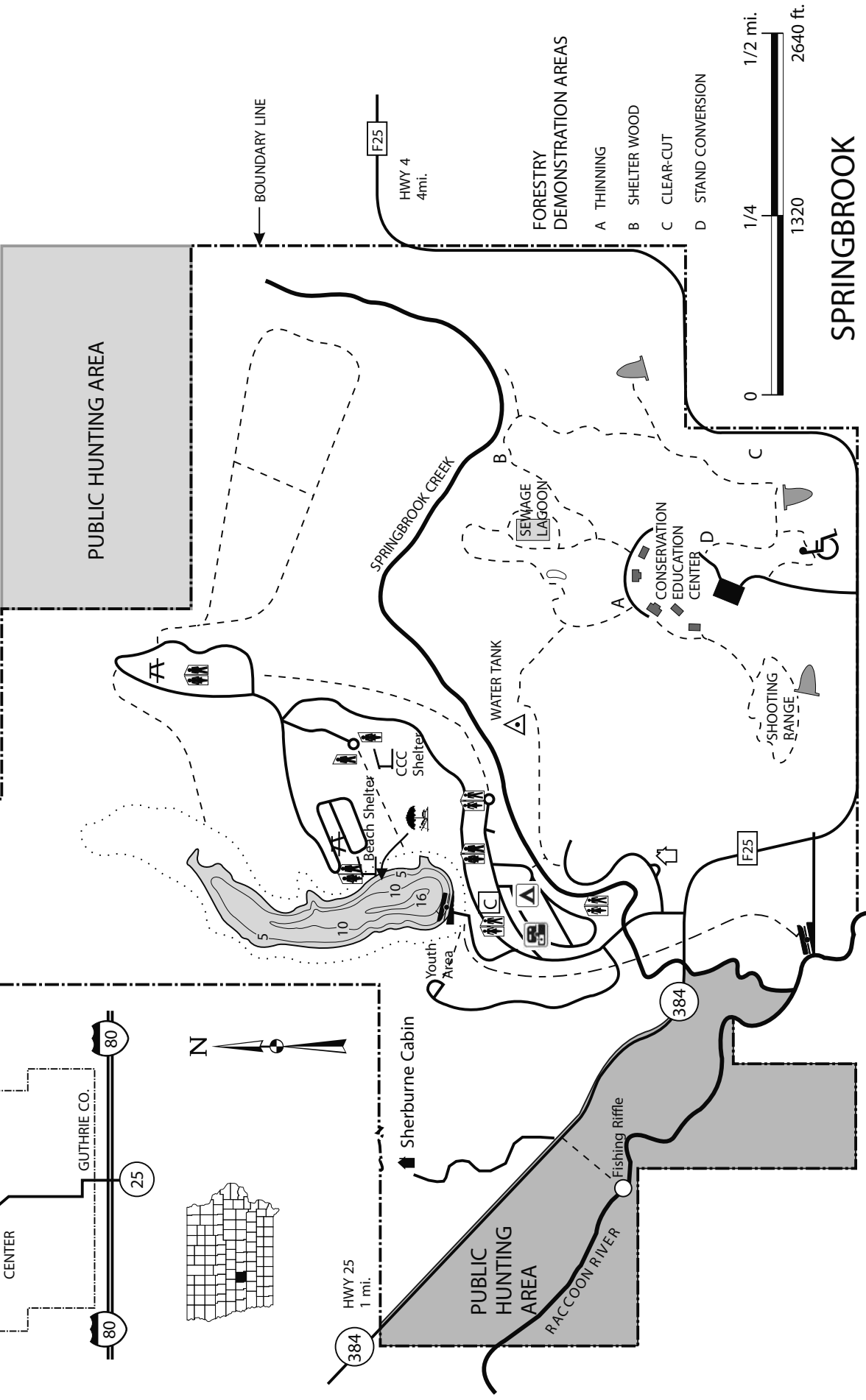
Park staff will attempt to notify park visitors of approaching severe weather. In an emergency, the office/shop complex can be used to take shelter.

For emergencies, please call 911.

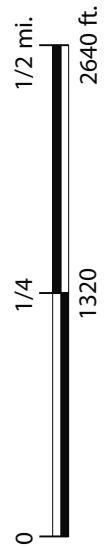
For reservations, visit <https://iowastateparks.reserveamerica.com/> or call 877.427.2757



- BEACH AREA
- BOAT RAMP
- CAMP STORE
- CAMPGROUND
- DUMP STATION
- PARK OFFICE
- PICNIC AREA
- RESTROOM
- SHELTER
- HIKING TRAIL
- NATURE & SNOWMOBILE TRAIL
- SNOWMOBILE TRAIL



SPRINGBROOK



- FORESTRY DEMONSTRATION AREAS
- A THINNING
 - B SHELTER WOOD
 - C CLEAR-CUT
 - D STAND CONVERSION

HWY 4
4mi.

HWY 25
1 mi.

Sherburne Cabin

Fishing Riffle

PUBLIC HUNTING AREA

SPRINGBROOK CREEK

WATER TANK

SEWAGE LAGOON

CONSERVATION EDUCATION CENTER

SHOOTING RANGE

Youth Area

CCC Shelter

Beach Shelter

BOUNDARY LINE

1/4

1/2 mi.

1320

2640 ft.