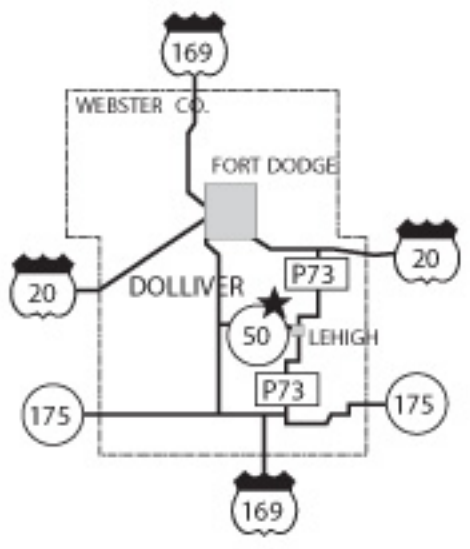
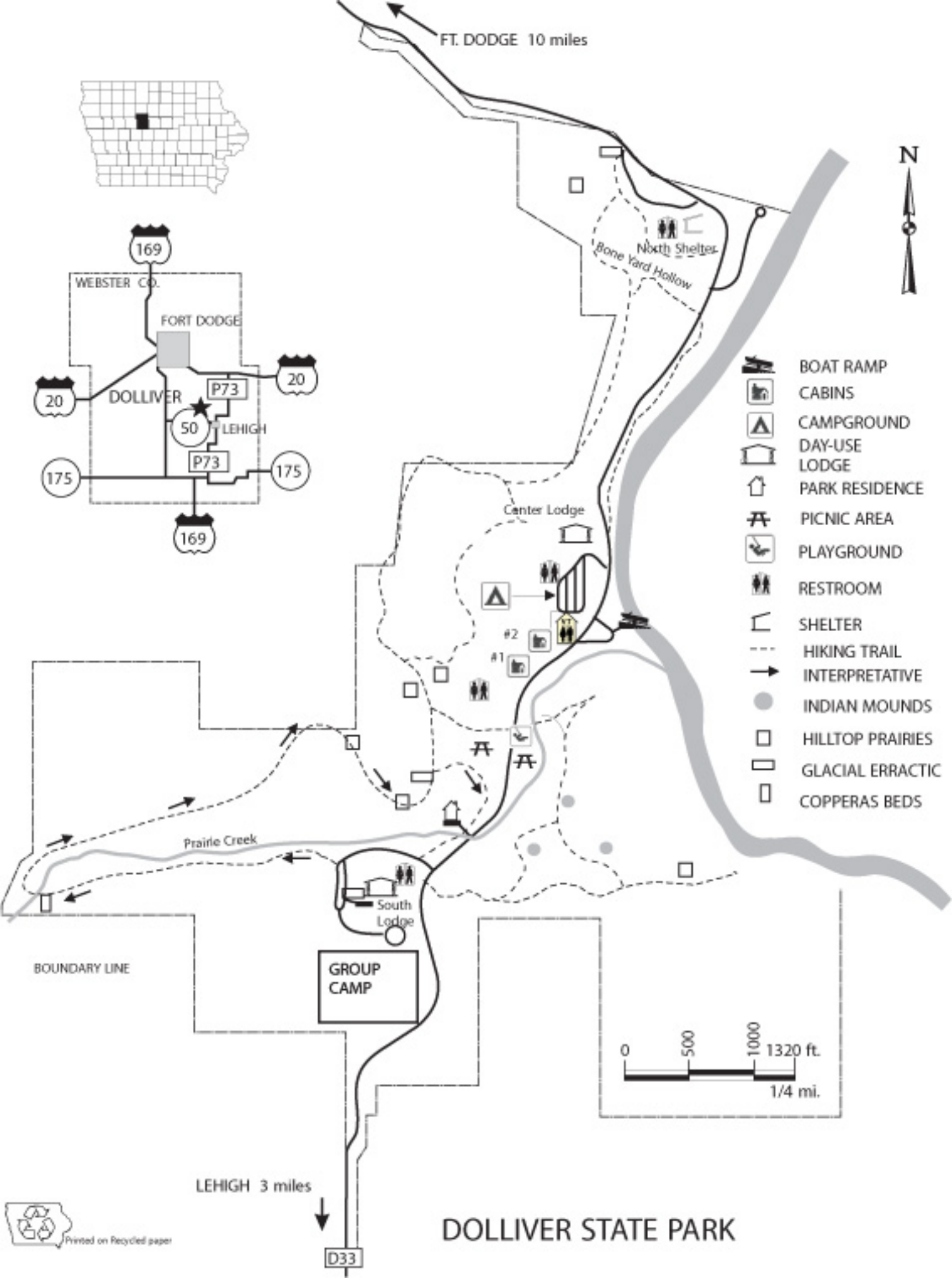


FT. DODGE 10 miles



- BOAT RAMP
- CABINS
- CAMPGROUND
- DAY-USE LODGE
- LODGE
- PARK RESIDENCE
- PICNIC AREA
- PLAYGROUND
- RESTROOM
- SHELTER
- HIKING TRAIL
- INTERPRETATIVE
- INDIAN MOUNDS
- HILLTOP PRAIRIES
- GLACIAL ERRACTIC
- COPPERAS BEDS



LEHIGH 3 miles

# DOLLIVER STATE PARK

D33

